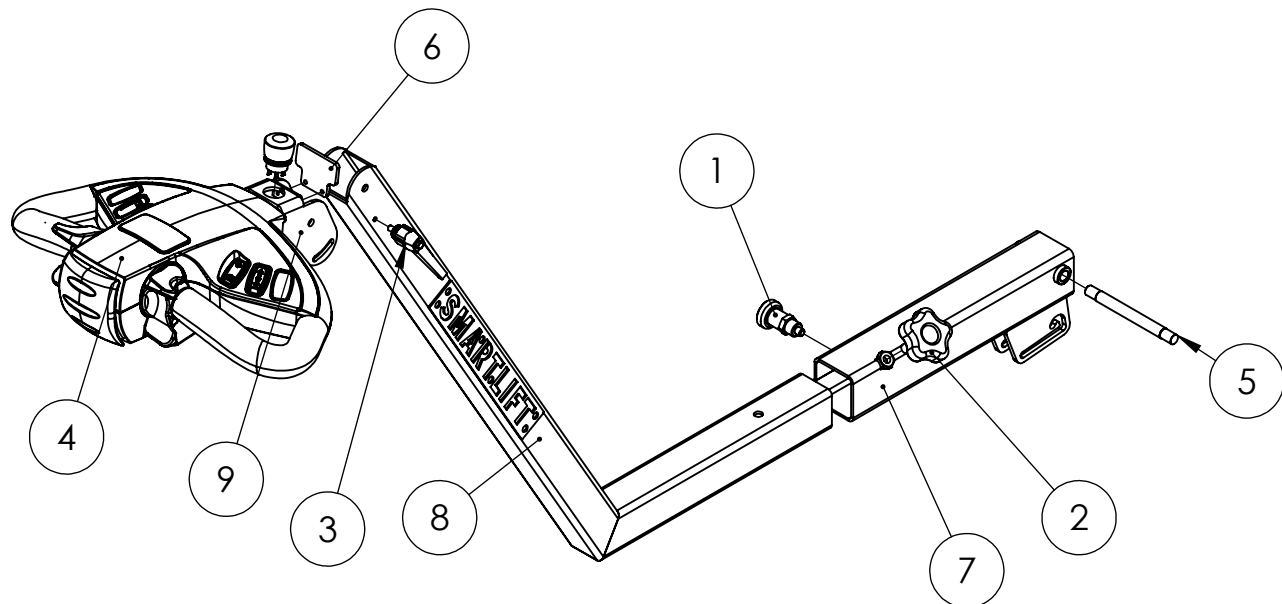


REV.	NOTE



ITEM NO.	PART NUMBER	DESCRIPTION	QTY.
1	011036	M16 Indexing plunger	1
2	011039	Star grip M10	1
3	011818	M6x10 handgrip	1
4	011840	Temo 600	1
5	1710100802	Shaft for outer profil for steering	1
6	2210100801	Protection plate for emergency stop	1
7	2210100840	Outer profil for steering - weldment	1
8	2210100860	Arm for steering	1
9	2210100884	Adapter for TEMO 600 - Improved	1

<p>The manufacturer is responsible for checking the applied K-factors as well as the current standard for folding and adjust it to fit the sheet forming machinery.</p> <p>TOLERANCES UNLESS OTHERWISE NOTED: DIN / ISO 2768 -f</p>  <p>PROPERTY INFORMATION</p> <p>This drawing, its design detail, dimension, tolerances and disclosure are the confidential information and exclusive property of SmartLift, and shall not be traced, reproduced or copied in any manner nor disclosed to any outside party without the prior written consent of SmartLift, all rights reserved.</p>	Weight: 11.03 kg	PROJECTION OF VIEWS 	Sheet 1 of 1
	Material: ,	Refer to drawing:	
Description: Complete handle	Coating:		NOTES: DWN. BY: MR DATE: 01-01-2019 LAST UPDT: 20-08-2019 REV.: REV. DATE: SCALE: 1:8 DWG NO.: 2210100800
Material handling: - - -	TITLE:		